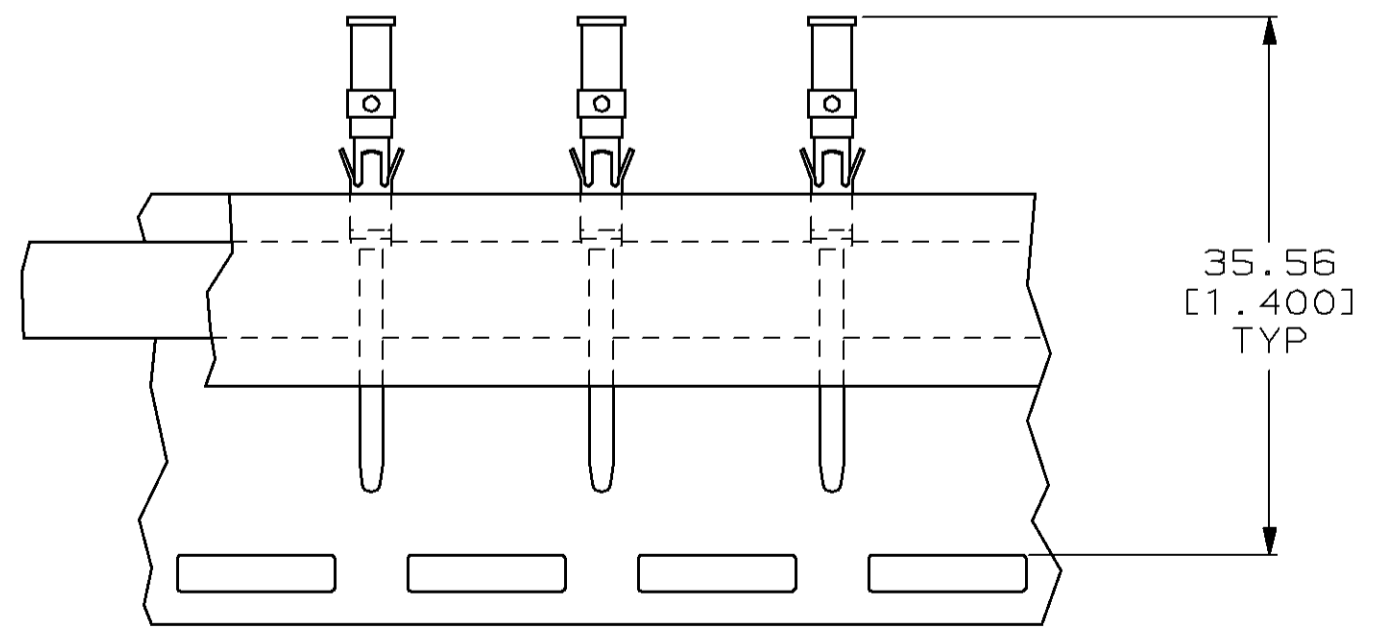
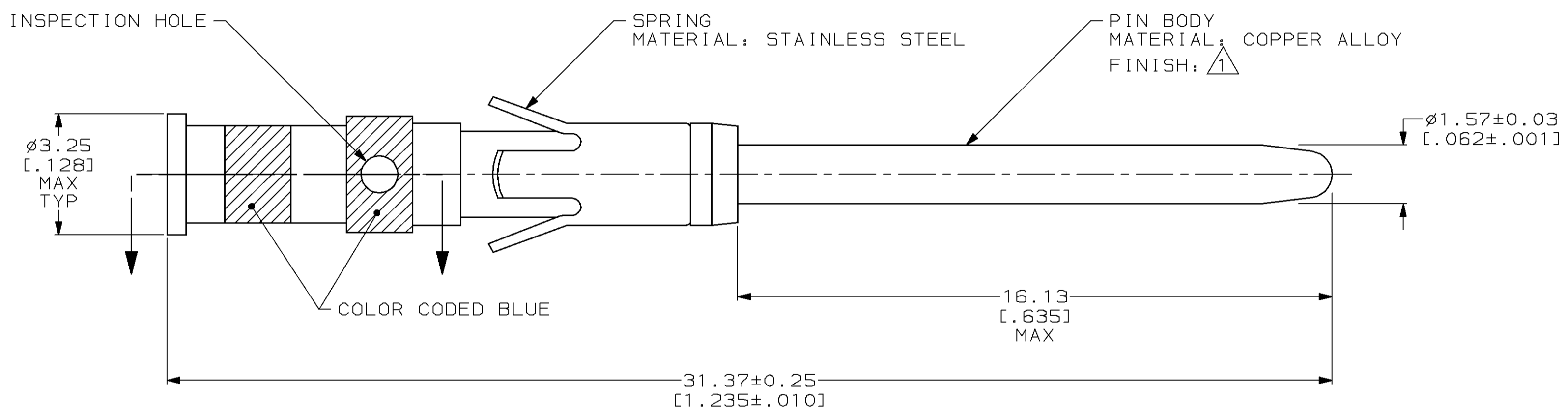
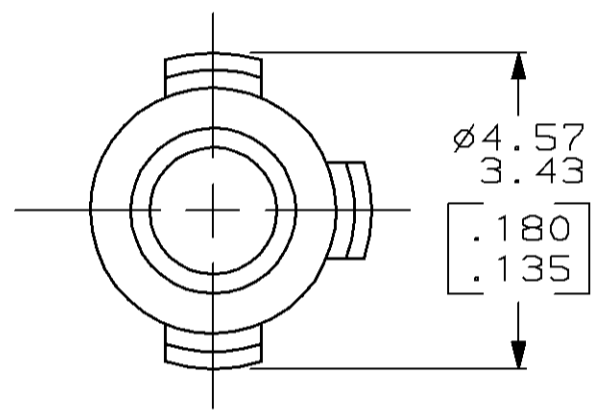
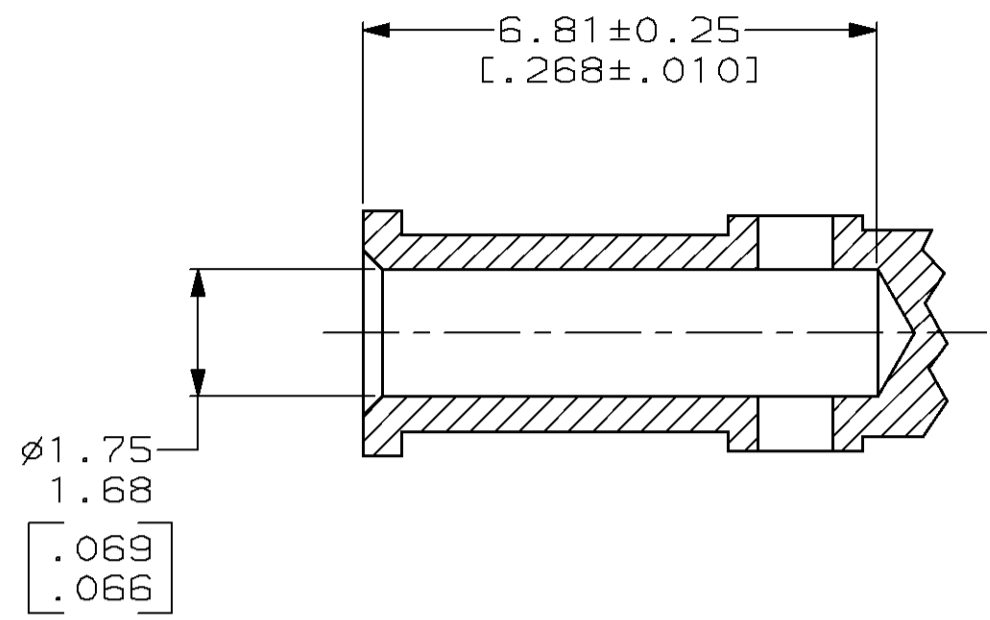


THIS DRAWING IS UNPUBLISHED. RELEASED FOR PUBLICATION
 © COPYRIGHT 19 BY AMP INCORPORATED. ALL RIGHTS RESERVED.

LOC		DIST		REVISIONS			
P	LTR	DESCRIPTION	DATE	DWN	APVD		
FT	8						
	K	REDRAWN W/O CHANGE PER EC 0320-109-96	04 DEC 97	-	-		



TAPE MTG DETAIL
SCALE 2:1

Δ 0.76µm [.000030] MIN GOLD OVER 1.27µm [.000050] MIN NICKEL.

TAPE MTD	204219-3
STANDARD	204219-1
PACKAGING TYPE	PART NUMBER

THIS DRAWING IS A CONTROLLED DOCUMENT.		DWN	B. CARBO	04 DEC 97
DIMENSIONS:		CHK	R. STONE	10 DEC 97
mm [INCHES]	TOLERANCES UNLESS OTHERWISE SPECIFIED:	APVD	G. STEINHAUER	06 JAN 98
	0 PLC ±-	PRODUCT SPEC	NAME	
	1 PLC ±-	APPLICATION SPEC	G. STEINHAUER	
	2 PLC ±0.13 [.005]	WEIGHT	-	
	3 PLC ±-	CUSTOMER DRAWING	SCALE	10:1
	4 PLC ±-		SHEET	1 OF 1
	ANGLES ±-		REV	K
	FINISH ±-			
MATERIAL	SEE CALLOUTS			

AMP AMP Incorporated
Harrisburg, PA 17105-3608

#16 PIN CONTACT ASSY,
#16-18 WIRE SIZE

SIZE: A2 CAGE CODE: 00779 DRAWING NO: 204219 RESTRICTED TO: -

204219